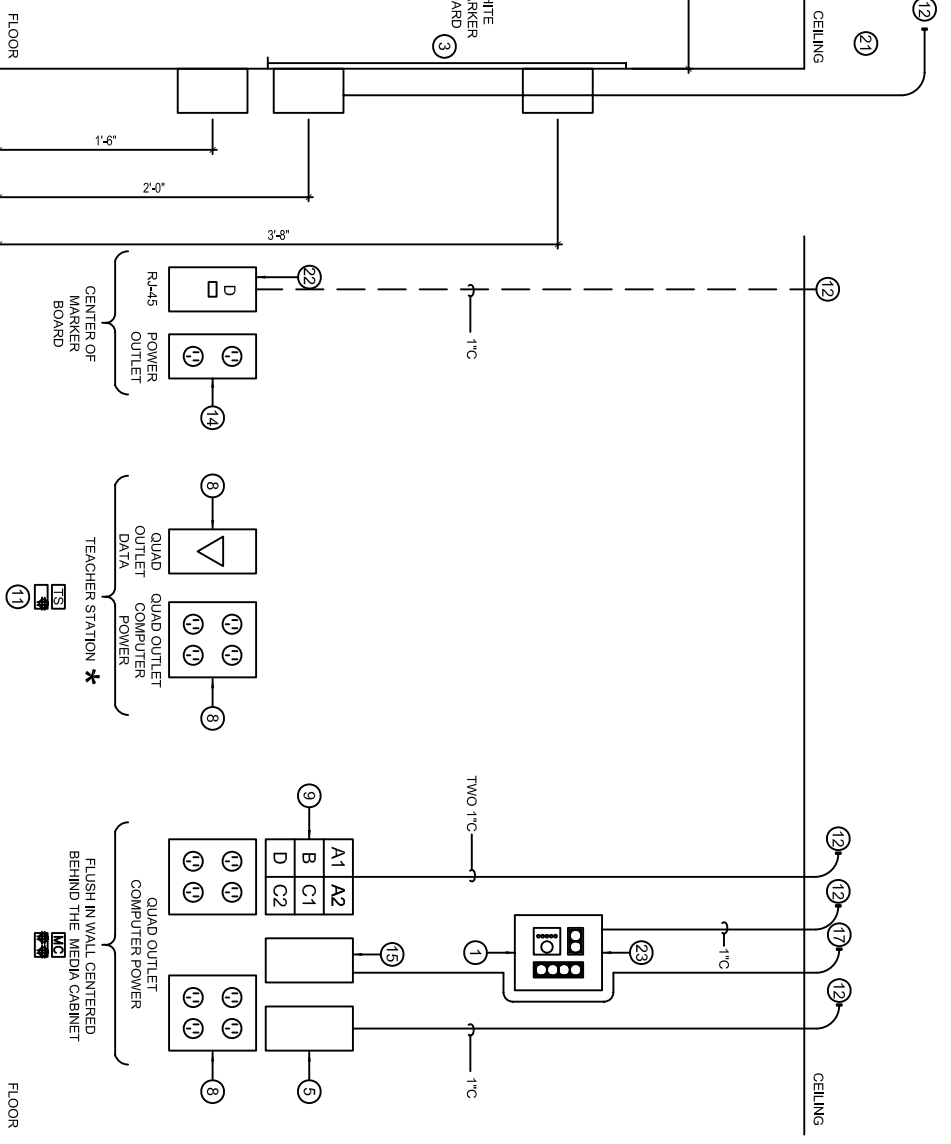
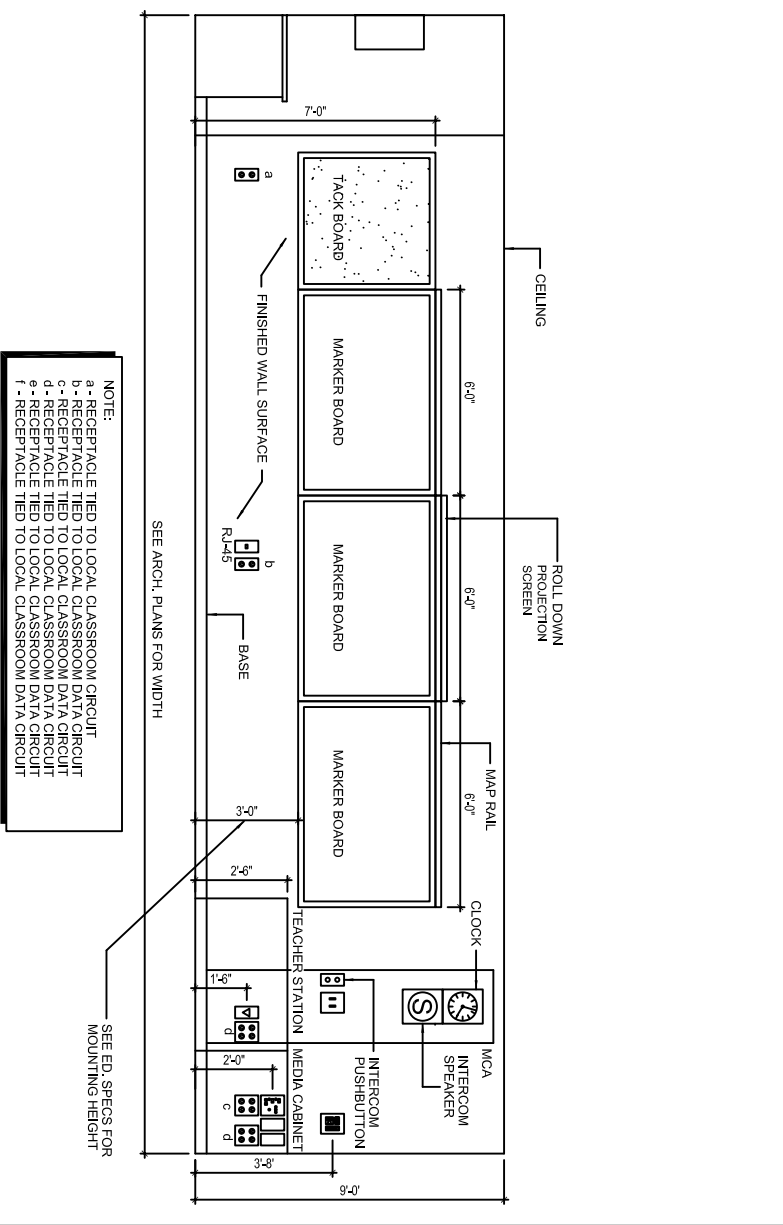


- NOTES:**
- TWO GANG JUNCTION BOX TO MOUNT THE EXTRON M.L.C. 104 IP CONTROL MODULE. (TO INCLUDE EXTRON CONTROL MODULE)
 - KEEP THE ROW OF CEILING TILES IN LINE WITH THE CENTER OF THE PROJECTION SCREEN CLEAR OF FIRE SPRINKLERS, AIR CONDITIONING DIFFUSERS, AND LIGHT FIXTURES # IN EACH DIRECTION FROM THE PROJECTION.
 - WHITE MARKER BOARD.
 - THIS DETAIL DOES NOT EXACTLY APPLY TO EVERY ROOM. SUBMIT SHOP DRAWINGS WITH PROPOSED ADJUSTMENTS FOR APPROVAL FOR VARIATIONS FROM THIS DETAIL.
 - JUNCTION BOX WITH 1" C TO CEILING SPACE FOR ASSISTED LISTENING SYSTEM.
 - JUNCTION BOX ABOVE CEILING FOR POWER TO PROJECTOR. RUN FLEX TO PROJECTOR MOUNTING PLATE AND INSTALL RECEPTACLE FLUSH IN MOUNTING BRACKET.
 - CONTRACTOR/INSTALLER SHALL NOTIFY THE PROJECT MANAGER. IF ANY COMPONENT SHOWN ON THIS DETAIL IS NOT SHOWN ON THE DRAWINGS. DATA ARE NOT SHOWN. THEY MUST BE INSTALLED PER CODE AND SPECIFICATIONS.
 - TWO GANG JUNCTION BOX FOR WALL PLATE. FOR WIRING AND PLATE TYPES, REFER TO VOICE, DATA AND VIDEO STRUCTURED CABLING CRITERIA AND HUBBELL AV CONNECTOR PLATE DETAIL.
 - CENTER CEILING PROJECTOR ON PROJECTOR SCREEN.
 - IF THE TEACHER STATION IS NOT ADJACENT TO THE MEDIA CABINET, INSTALL THESE OUTLETS AT THE TEACHER STATION. SEE FLOOR PLANS FOR ACTUAL LOCATIONS. IN INSTRUCTIONAL SPACES SUCH AS SCIENCE LABS WHERE A FIXED DEMONSTRATION DESK IS PROVIDED AND THE TEACHER STATION IS POSITIONED ADJACENT TO THE DEMONSTRATION DESK, INSTALL THESE OUTLETS ON THE SIDE OF THE DEMONSTRATION DESK. RUN CONDUITS DOWN THROUGH SLAB AND UP TO CEILING/BOX AT WALL. REFER TO DRAWING E-1A.
 - PROVIDE BUSHING AT END OF CONDUIT AND STUB 8" ABOVE CEILING.
 - 24"x8" PROJECTOR MOUNTING BRACKET CHIEF CMS-440 WITH CUTOFF FOR POWER JUNCTION BOX. REFER TO HUBBELL AV CONNECTOR PLATE DETAIL.
 - POWER OUTLET FOR INTERACTIVE BOARD. VERIFY EXACT LOCATION WITH EQUIPMENT MANUFACTURER PRIOR TO ROUGH-IN.
 - J-BOX FOR TV/ OUTLET WITH 3/4" C TO TV SYSTEM.
 - A TWO GANG BOX AS REFERRED FOR COMMUNICATION IS A 4" x 4" x 2 1/2" J. C. HOMERUN TO TV SYSTEM.
 - IN ELEMENTARY SCHOOLS, COORDINATE OUTLET LOCATIONS AND MEDIA CABINET WITH CABINETRY WORK SPECIFIED UNDER THE WINDOWS IN THE EDUCATIONAL SPECIFICATION.
 - TWO GANG JUNCTION BOX IN THE CEILING TO BE USED FOR THE MODULAR TERMINATION OF VOICE AND CONNECTED PLATES. FOR WIRING AND PLATE TYPES, REFER TO VOICE, DATA AND VIDEO STRUCTURED CABLING CRITERIA SECTION XL FREE WIRE WITH RINGS SUPPORT TO WALL CONDUIT STUB UPS AT MEDIA CABINET LOCATION.
 - REFER TO DIVISION 17000 AND COMMUNICATION DESIGN CRITERIA, SECTION 24.3 VOICE DATA VIDEO STRUCTURED CABLING SYSTEMS DESIGN CRITERIA FOR WIRING AND DEVICE INFORMATION.
 - PROVIDE DUAL DATA OUTLET FOR THE EXTRON M.L.C.104 IP AND WIRELESS ACCESS POINT (WAP) ABOVE CEILING NEAR THE TEACHERS WORK AREA. (REFER TO HUBBELL AV CONNECTOR PLATE DETAIL FOR WIRING AND PLATE TYPES. REFER TO VOICE, DATA AND VIDEO STRUCTURED CABLING CRITERIA)
 - FROM THE ETHERNET PORT ON THE EXTRON M.L.C.104 IP TO THE DUAL DATA OUTLET ON NOTE #21, PROVIDE AN R45 TO R45 PATCH CABLE IN THE 1" C. SHOWN ON THE DETAIL.



1 GENERAL PROJECTOR WIRING DETAIL WITH MEDIA CABINET * FOR SCIENCE CLASSROOM LAYOUT, REFER TO DRAWING E-1A

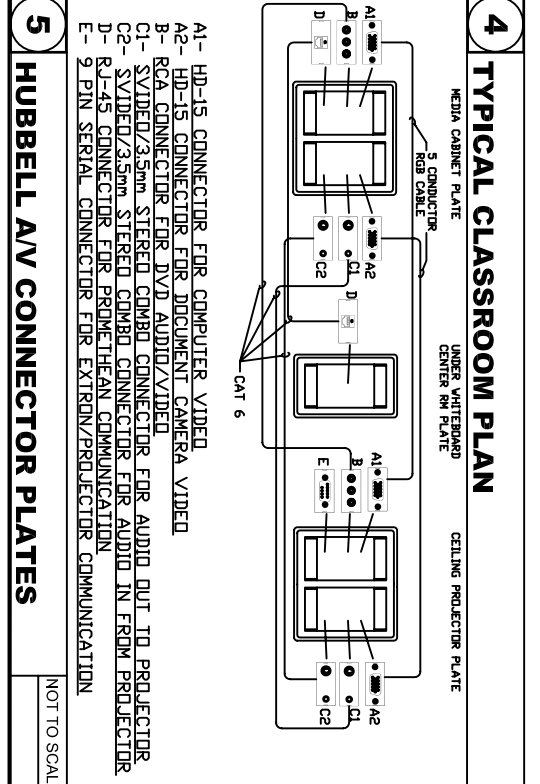


- NOTE:**
- RECEPTACLE TIED TO LOCAL CLASSROOM CIRCUIT
 - RECEPTACLE TIED TO LOCAL CLASSROOM DATA CIRCUIT
 - RECEPTACLE TIED TO LOCAL CLASSROOM DATA CIRCUIT
 - RECEPTACLE TIED TO LOCAL CLASSROOM DATA CIRCUIT
 - RECEPTACLE TIED TO LOCAL CLASSROOM DATA CIRCUIT
 - RECEPTACLE TIED TO LOCAL CLASSROOM DATA CIRCUIT

2 TYPICAL CLASSROOM ELEVATION

3 TYPICAL MEDIA CABINET

5 HUBBELL AV CONNECTOR PLATES



- 4 TYPICAL CLASSROOM PLAN**
- HD-15 CONNECTOR FOR COMPUTER VIDEO
 - HD-15 CONNECTOR FOR DOCUMENT CAMERA VIDEO
 - RCA CONNECTOR FOR DVD AUDIO/VIDEO
 - VIDEO/3.5mm STEREO COMBO CONNECTOR FOR AUDIO OUT TO PROJECTOR
 - VIDEO/3.5mm STEREO COMBO CONNECTOR FOR AUDIO IN FROM PROJECTOR
 - RJ-45 CONNECTOR FOR PROMETHEAN COMMUNICATION
 - 9 PIN SERIAL CONNECTOR FOR EXTRON/PROJECTOR COMMUNICATION

SUBMISSIONS		REVISIONS	
BUILDING DEPARTMENT REVIEW / COMMENT			PER E.T.S. COMMENTS
		03-28-08	PER E.T.S. COMMENTS
		07-14-08	PER E.T.S. COMMENTS
		08-01-08	PER E.T.S. COMMENTS
		10-27-08	PER E.T.S. COMMENTS
		01-08-09	PER E.T.S. COMMENTS
		04-23-09	PER E.T.S. COMMENTS

THE SCHOOL BOARD OF BROWARD COUNTY, FLORIDA
 FACILITIES & CONSTRUCTION MANAGEMENT
 DESIGN SERVICES
 1700 S.W. 14th Court Fort Lauderdale, Florida 33312

**INSTRUCTIONAL SPACES
 TYPICAL LAYOUT DETAIL**

CADD FILE NAME	COMPLETION DATE
DRAWN BY:	NOVEMBER 29, 2007
REVIEWED BY:	
ENGINEER OF RECORD:	
SHEET NUMBER	
SHEET 1 of 2	